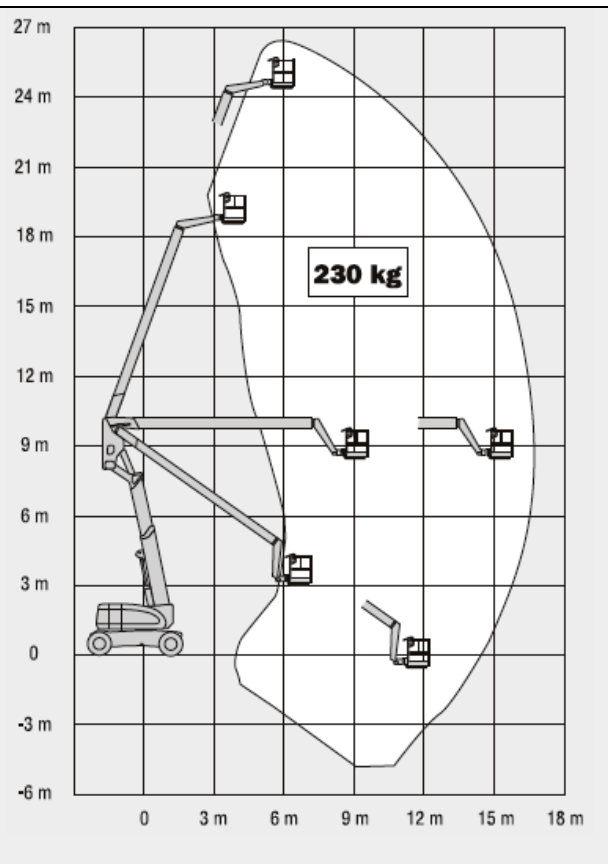


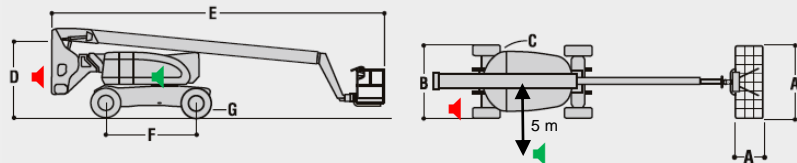
# SPECIFICATION SHEET



Platform Height	24,38 m
Horizontal Outreach	16,15 m
Up and Over Height	9,78 m
Swing (Continuous)	360°
Platform Capacity – Unrestricted	230 kg
Platform Rotator (Hydraulic)	180°
Jib – Overall Length	n.a.
Jib - Range of articulation	n.a.
A, Platform Size	0,91 m x 2,44 m
B, Overall Width	2,43 m
C, Tailswing (working condition)	0,86 m
D, Stowed Height	3,00 m
E, Stowed Length	11,25 m
F, Wheelbase	3,05 m
G, Ground Clearance	0,30 m
Machine weight	15,600 kg
Maximum Ground Bearing Pressure	5,4 kg/cm <sup>2</sup>
Drive Speed 2WD	3,5 km/h
Drive Speed 4WD	3,5 km/h
Gradeability 2WD	30%
Gradeability 4WD	45%
Tyres	18 - 625 Foam Filled
Axle Oscillation	0,20 m
Turning Radius – Inside (2/4WS)	3,66 m / 2,13 m
Turning Radius – Outside (2/4WS)	6,86 m / 4,42 m
Electric motor	80 V - 28 kW
Noise level travelling	78 dBa
Noise level boom movements	72 dBa
Battery capacity	775 Ah
Charging time batteries	8 – 10 h
Discharge warning system	yes
Hydraulic System	261 l
Auxiliary Power	12V DC



## E800A



# ZERO EMISSION



SPS is continually researching and developing products and reserves the right to make modifications without prior notice. All data in this document is indicative. Certain options or country standards will increase weight and/or dimensions. Specifications may change to meet country standards or with the addition of optional equipment.

Smart Platform Solutions B.V. • Leusveld 104 • NL-2151 JX Nieuw-Vennep • the Netherlands  
 e-mail: info@sps-bv.nl • KvK Amsterdam: 60295449 • BTW: NL8538.47.605  
 IBAN: NL08INGB 0006.3461.01 • BIC: INGBNL2A000